

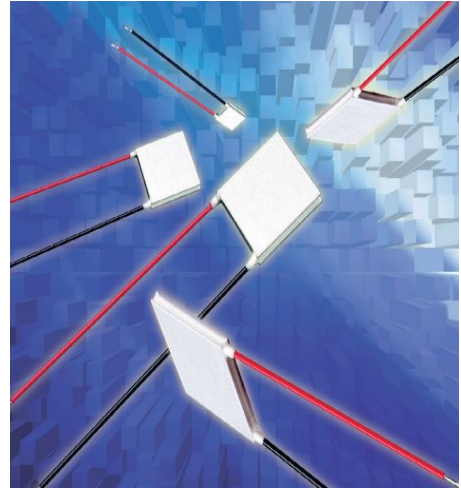


## Thermo-module type: FM-BT-7103

### 性能参数

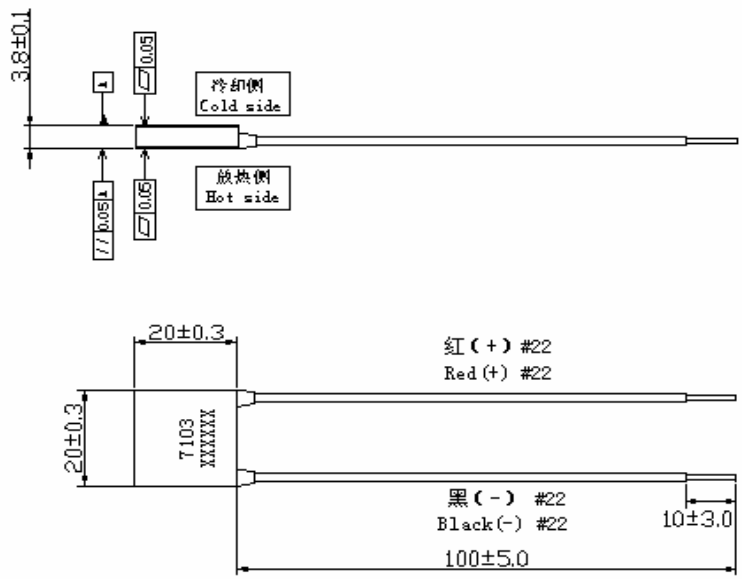
### Performance parameters

| 项目<br>Item                          | 性能指标<br>Performance data | 测试条件<br>Test Condition                    |
|-------------------------------------|--------------------------|-------------------------------------------|
| 开路电压<br>Open Circuit Voltage        | 1.5V                     | Th=80°C、Tc=30°C                           |
| 输出功率<br>Load Power                  | 195 mW                   | Th=80°C、Tc=30°C<br>Load Resistance: 2.63Ω |
| 输出电压<br>Load Volt                   | 0.7V                     |                                           |
| 电阻<br>Resistance                    | 2.2 Ω ± 10%              | at: 298K                                  |
| 最高使用温度<br>Max operating temperature | 200°C                    | 瞬间温度<br>Instantaneous temperature         |



### 外形图

### Outline drawing



注：在冷却侧打印型号及批号  
Note: print type and lot number on the cold side surface

### Contact us:

Address: 20<sup>th</sup> Zhujiang Road, Economic and Technological Development Zone, Qinhuangdao Hebei China

Tel: 0086-335-5909138

Fax: 0086-335-5909140

Web: [www.chinafujitaka.com](http://www.chinafujitaka.com)